

Eco-Cooler



Operating
instructions

Deltec *Eco-Cooler Type 300/2 Type 420/2 / Type 420/4*

Deltec *Eco-Cooler* offer an alternative to conventional cooling systems for Marine and Freshwater aquaria. They operate on the well known cooling effect through evaporation. By comparison they are quiet and economical in operation and easy to maintain. Deltec *Eco-Cooler* are normally installed in combination with a filter sump. The water supply (app. 2000 l/h) is by gravity feed from the aquaria.

Sump Installation

Care must be taken that the moist air flow coming out of rear of the Deltec *Eco-Cooler* is in no way obstructed. Ensure that the moist air is not trapped inside the cabinet or is blown onto wallpaper or any surfaces where it is likely to cause damage. The water flow into the Deltec *Eco-Cooler* should be best adjusted by means of a shut off valve. If gravity feed is not possible, a separate pump of suitable size can be used to operate the Deltec *Eco-Cooler*. This would apply when the Deltec *Eco-Cooler* is installed away from the aquarium. The operation of the Deltec *Eco-Cooler* can be controlled through a Deltec *Thermo Controller*.

technical data	dimensions (l/w/h) app.	for aquaria up to	power consumption	inlet / outlet
Eco-Cooler 320/2 (S)	390x370x360mm 2 fans	600 ltr.	44 Watt	Ø 40mm / Ø 40mm
Eco-Cooler 420/2 (M)	490x490x360mm 2 fans	1000 ltr.	44 Watt	Ø 40mm / Ø 40mm
Eco-Cooler 420/4 (L)	770x490x470mm 4 fans	2000 ltr.	88 Watt	Ø 40mm / Ø 40mm

Deltec *Eco-Cooler* with Deltec *Thermo Controller*

Temperature setting

The Thermo Controller has two displays; the top display shows the actual water temperature, the bottom one the temperature as set. To change the temperature setting turn the control knob clockwise to increase and anti clockwise to lower.

Attention: The Thermo Controller has a built in delay; so the cooling fans will only switch on with a delay after the set temperature has been reached.

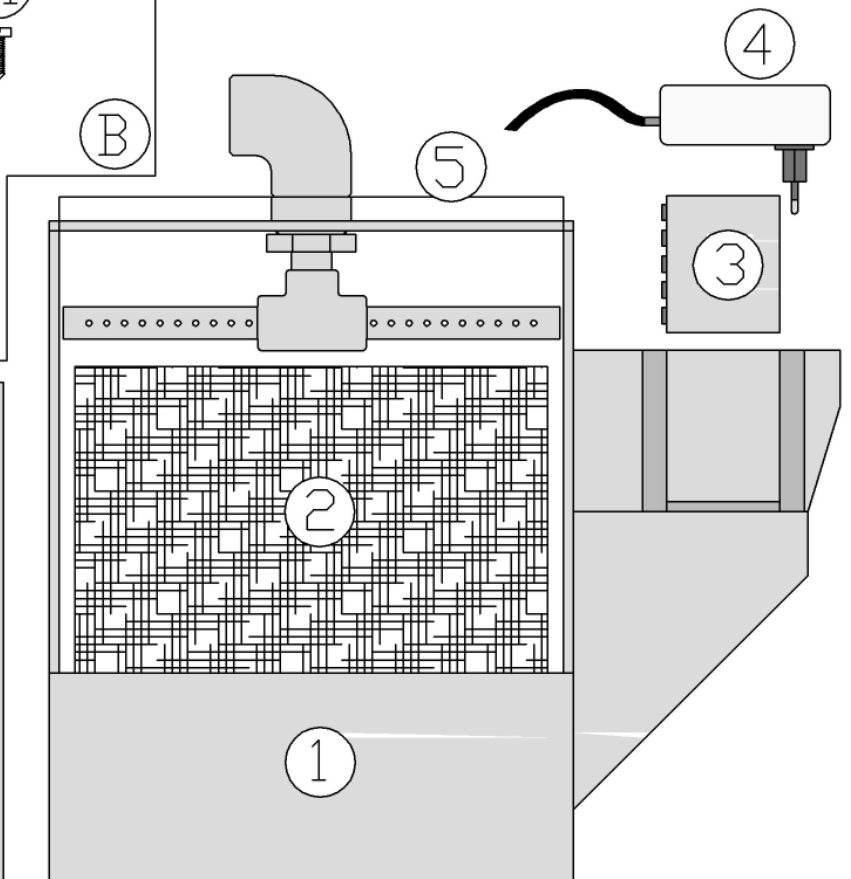
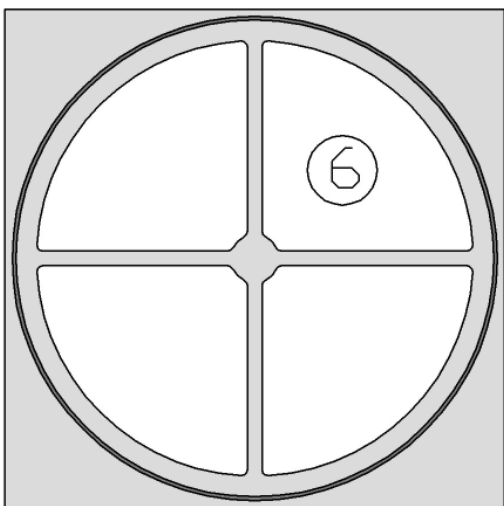
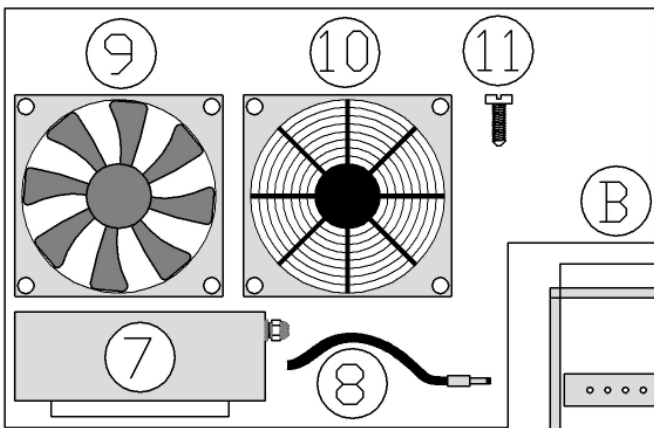
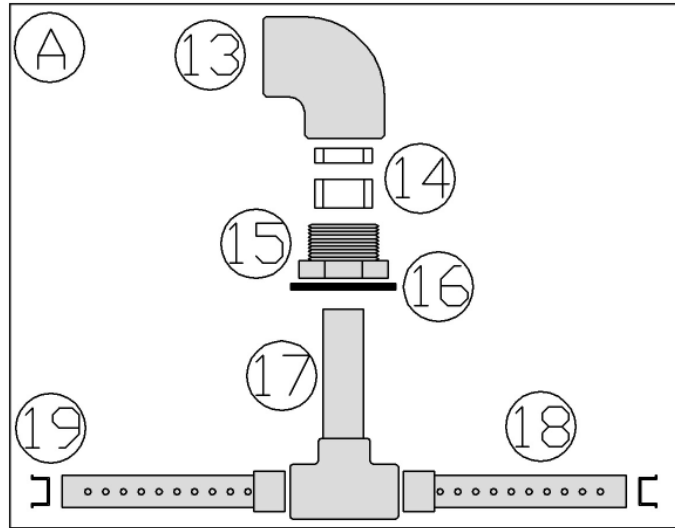
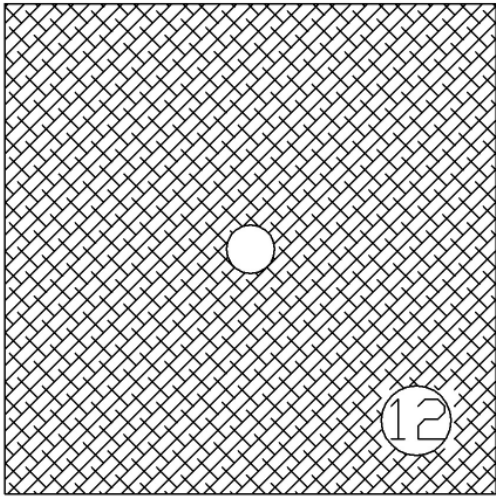
Important

- The temperature feeler cable and feeler should be positioned in such a way that it is submerged in warm water, away from the cooler outlet and also secured in such a way that the feeler is always submerged.
- During the cold season (if the fans are not being used for a long time) the fans have to be removed from the Eco-Cooler.

Please note

Cooling performance depends on ambient temperature and humidity.

Eco-Cooler S, M, L



Spare parts list

	Art. Nr. Eco-Cooler S	Art. Nr. Eco-Cooler M	Art. Nr. Eco cooler L	Bezeichnung	Description
	61053000	61054000	61055000	Eco Cooler S-L	Eco-Cooler S-L
A	61060000	61060000	61061000	Sprüharm komplett	Sprinkler arm cpl.
B	31265000	31265000	31265000	Lüfter komplett	Fan cpl.
1	61062000	61063000	61064000	Gehäuse	Housing
2	60075000	60076000	60077000	Patrone	Cartridge
3	61065000	61065000	61066000	Anschluss Box	Connection box
4	11602500	11602500	11602600	Netzteil	Ballast
5	61067000	61068000	61069000	Frontscheibe	Front plate
6	61070000	61071000	61072000	Patronenhalter	Cartridge holder
7	31267000	31267000	31267000	Lüftergehäuse	Fan housing
8	31268000	31268000	31268000	Anschluss Kabel	Connection wire
9	31263000	31263000	31263000	Lüfter	Fan
10	31269000	31269000	31269000	Schutzgitter	Grid
11	12361000	12361000	12361000	Schraube	Screw
12	60999000	60999000	60999100	Matte	Mat
13	93084000	93084000	93084000	Winkel mit Innengewinde	Elbow
14	60061000	60061000	60061000	Lager	Bearing
15	61072000	61072000	61072000	Verschraubung	Connector
16	10400570	10400570	10400570	O-Ring	O-Ring
17	61073000	61073000	61073000	T-Stück mit Rohr	T-piece with pipe
18	61060100	61060100	61061100	Sprüharm	Sprinkler arm
19	93020000	93020000	93020000	Stopfen	Plug

GB / USA / Canada / Singapore



D-D The Aquarium Solution Limited
11-17 Fowler Road
Hainault Industrial Estate Ilford
Essex IG6 3UT
www.deltecaquariumsolutions.com

Deltec GmbH 2008

Steller Straße 75
D-27755 Delmenhorst
Deutschland / Germany
www.deltec-aquaristic.com